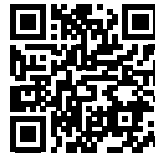


EN Installation and dismanteling instructions

FROSTI®-Locking operating handle | Fig. 578 00 007



YouTube




KEMPER
DRIVING PROGRESS



Content

1	Info	3
1.1	Safety warnings & installation instructions.....	3
2	Product information	5
2.1	Scope of delivery necessary tool	5
3	Installation	6
3.1	Assembly instructions.....	6
3.2	Dismantling instructions.....	9

1

Info

1.1

Safety Warnings & Installation Instructions

READ AND UNDERSTAND THESE WARNINGS AND INSTRUCTIONS FIRST.

Labeling of important warning information:

WARNING indicates a hazardous situation which, if not avoided, could result in death or serious injury, material damage or contamination of drinking water.

CAUTION indicates a hazardous situation which, if not avoided, could result in minor or moderate injury or risks that may result in damage to the plant or dysfunction.

NOTICE is used to address practices not related to physical injury.

WARNING

Closely review all safety warnings in this manual before installation or removal of the handle. Failure to review these safety warnings may lead to injury or property damage!

CAUTION

Competent and qualified plumbers must install this product. Read the manual and follow the instructions before installation.

CAUTION

All service and repair work should be performed by a trained and qualified plumbers using suitable tools and original spare parts.

NOTICE

Check and comply with all applicable federal, state, and local safety and industry codes and standards.

Keep the manual for future reference!
Hand over the installation instructions to the client or to the system operator and retain for later reference.

CAUTION

Only use the locking operating handle if it is in perfect condition. Any other usage is contrary to the intended use. Carefully inspect the operating handle before installation for any signs of damage which may have occurred during transportation or storage.

CAUTION

The product must only be used for the outdoor taps Figures 578/ 579 and 574/ 577 (from year of manufacture 2009).

WARNING

Discard all unused parts and packaging material after installation in accordance with federal, state, and local requirements.

Small parts may be a choking hazard!

Warranty Disclaimer

EXCEPT FOR THE EXPRESS WARRANTIES SET FORTH HEREIN, GEBR. KEMPER GMBH + CO. KG, GRANTS NO EXPRESS OR IMPLIED WARRANTIES AND SPECIFICALLY DISCLAIMS ANY OTHER WARRANTIES, WHETHER WRITTEN OR ORAL, INCLUDING ANY WARRANTY OF QUALITY, MERCHANTABILITY, OR FITNESS FOR A PARTICULAR USE OR PURPOSE.

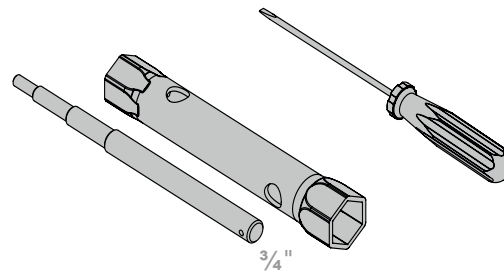
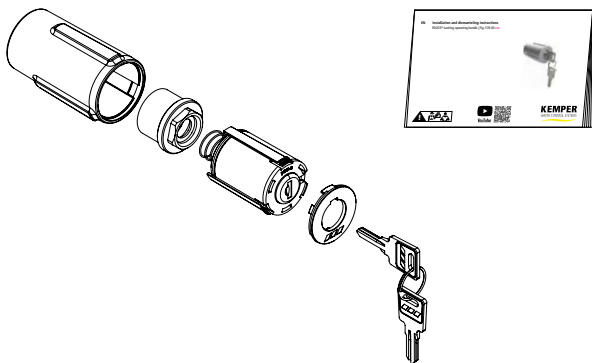
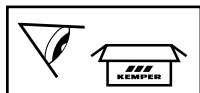
GEBR. KEMPER GMBH + CO. KG SHALL NOT BE LIABLE FOR DAMAGES ARISING FROM ANY DISREGARD OF THESE SAFETY WARNINGS & INSTALLATION INSTRUCTIONS, OR ANY DAMAGE CAUSED BY FAULTY INSTALLATION OF THE HANDLE, ANY UNAUTHORIZED PRODUCT MODIFICATIONS, OR ANY INCORRECT OPERATION OF THE HANDLE.

2

Product information

2.1

Scope of delivery | necessary tool



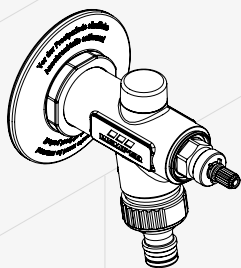
3

Installation

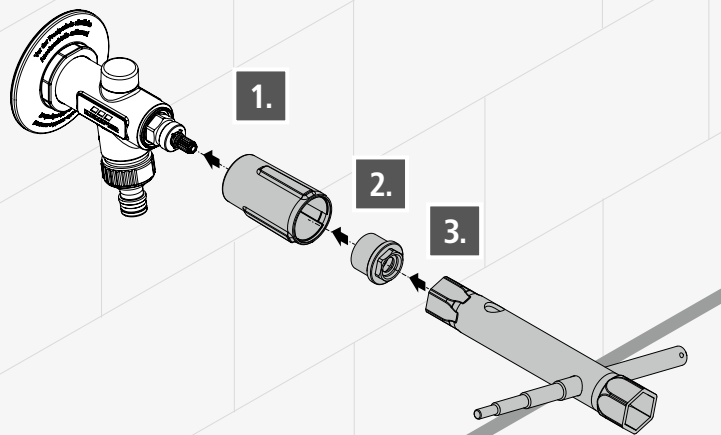
3.1

Assembly instructions

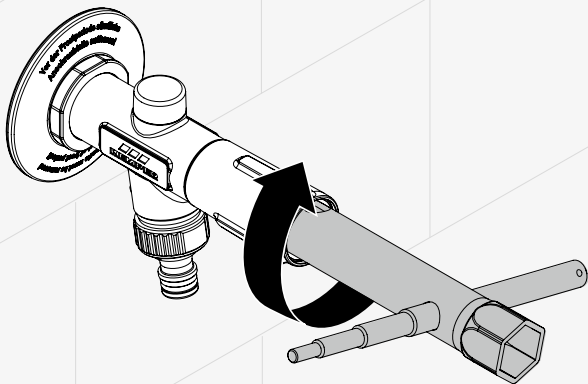
1



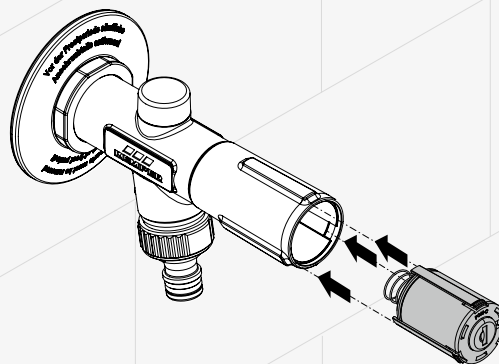
2



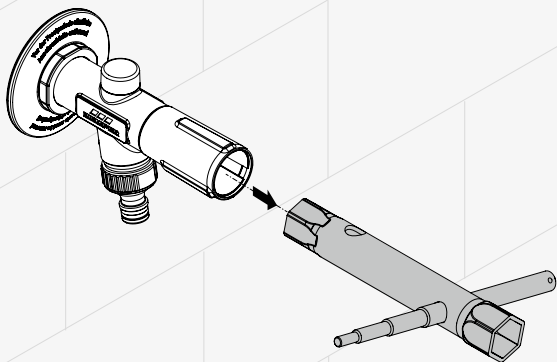
3



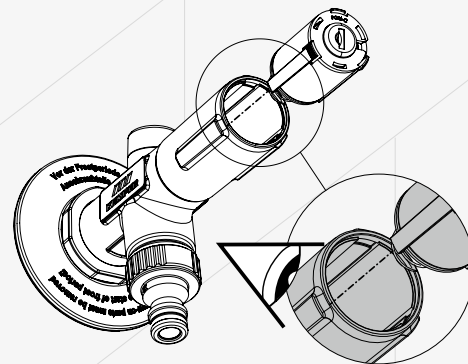
5



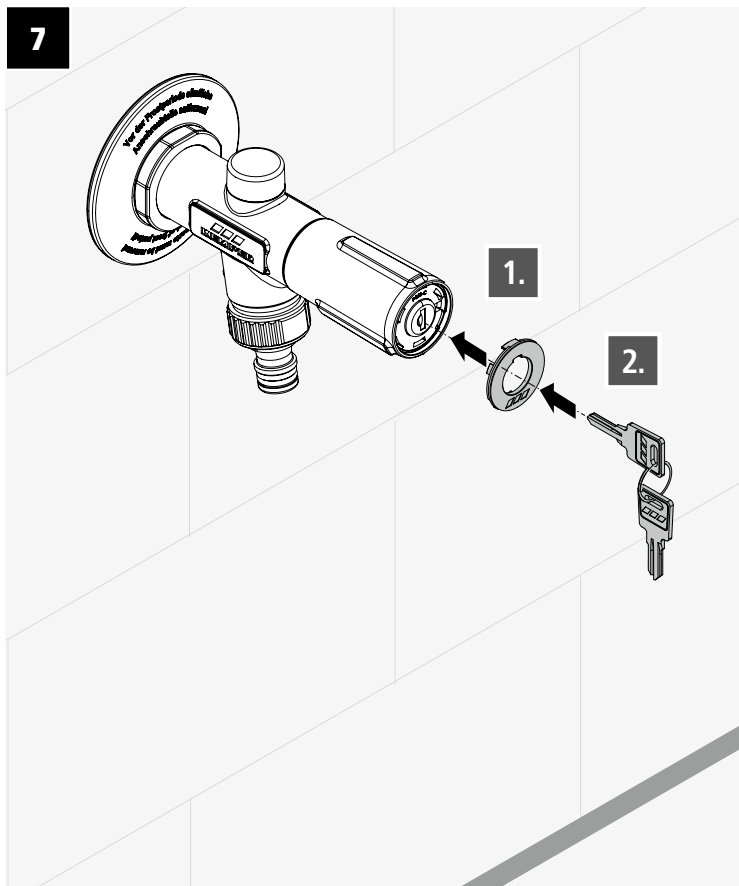
4



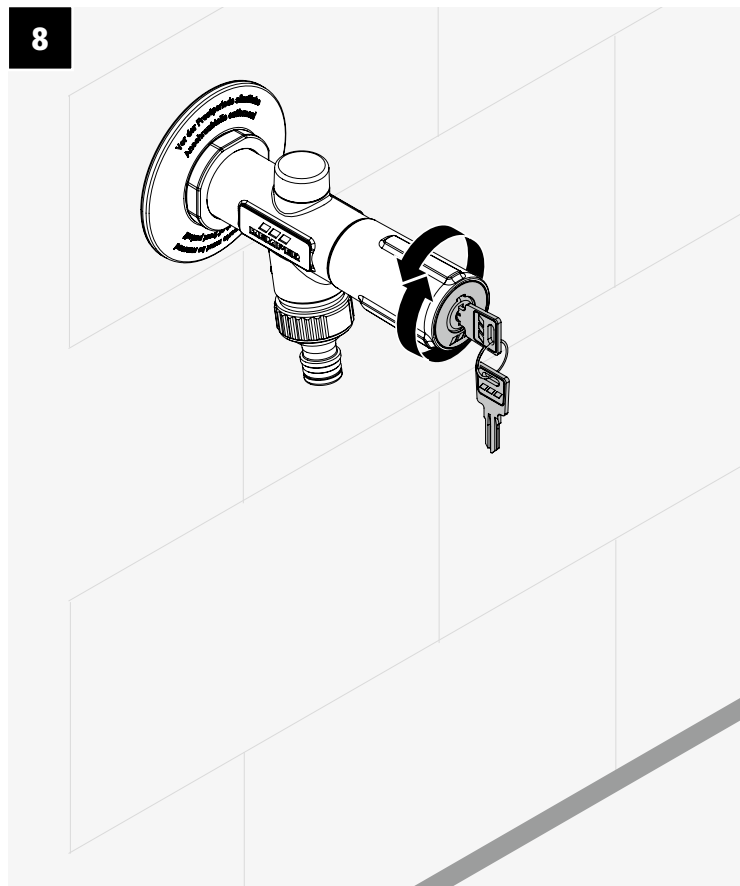
6



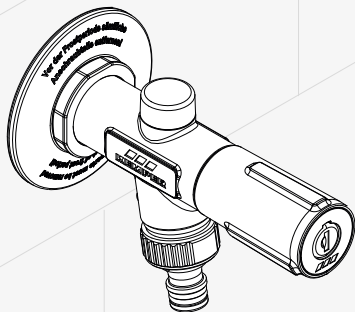
7



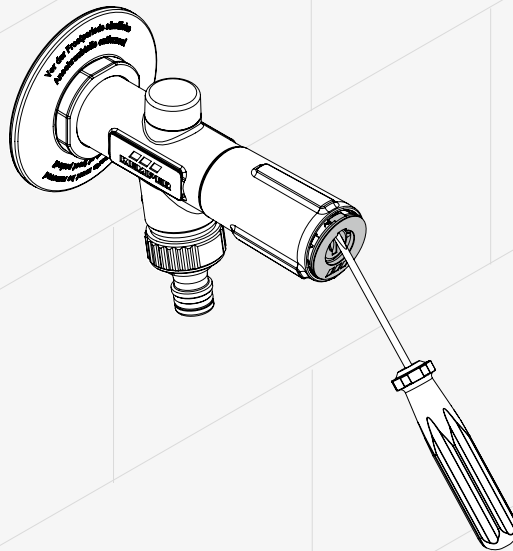
8



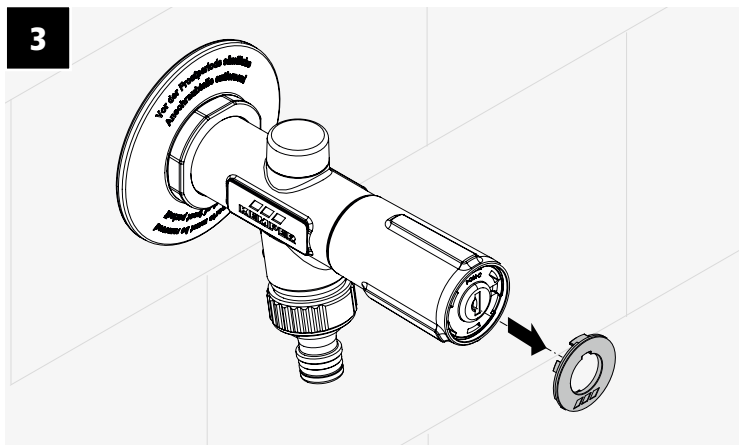
1



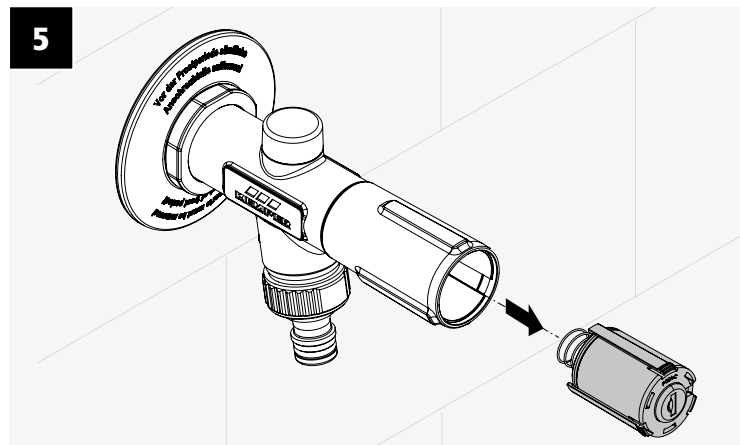
2



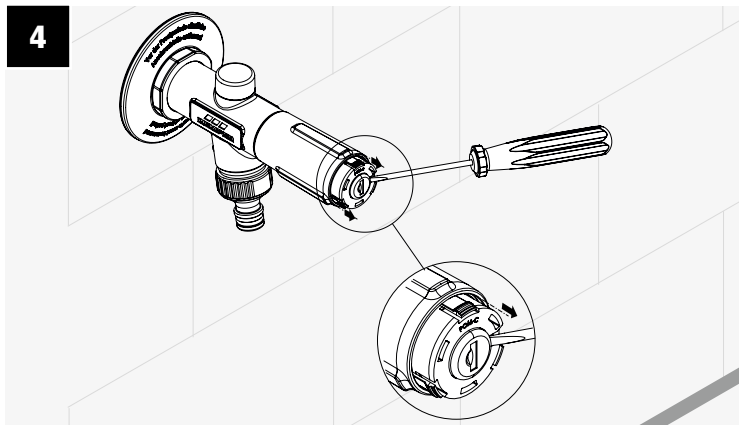
3



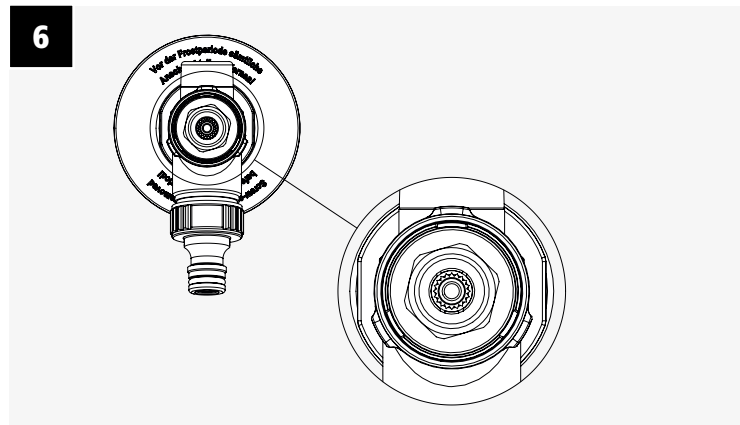
5



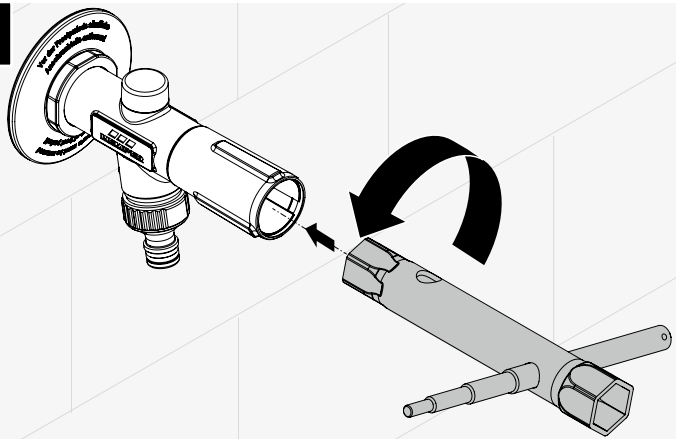
4



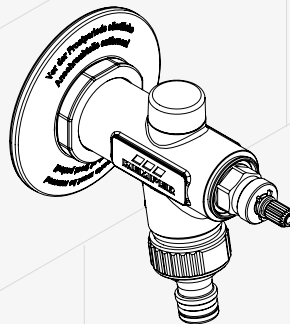
6



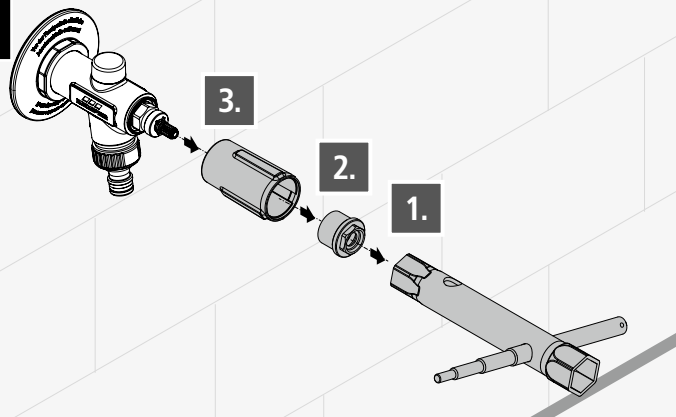
7



9



8





DRIVING PROGRESS

Gebr. Kemper GmbH + Co. KG
Harkortstraße 4
D-57462 Olpe

For more information, please contact:

Craig Boyce
Kemper Water Control Systems, Inc.
2378 Linwood Ave.
Naples, FL 34112 USA
Toll free: (877) 581-0575
Email: Craig.Boyce@KemperWaterControl.com



Service-Hotline +49 2761 891-800
info@kemper-group.com
www.kemper-group.com