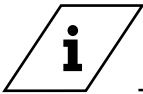


EN Installation Instructions

FROSTI® | Fig. 579 12





Content

1	Info	3
1.1	Safety warnings & installation instructions.....	3
2	Product information	5
2.1	Scope of delivery necessary tool	5
2.2	Technical data Dimensions.....	6
3	Installation	8
	Assembly instructions.....	8

1

Info

1.1

Safety Warnings & Installation Instructions

READ AND UNDERSTAND THESE WARNINGS AND INSTRUCTIONS FIRST.

Labeling of important warning information:

WARNING indicates a hazardous situation which, if not avoided, could result in death or serious injury, material damage or contamination of drinking water.

CAUTION indicates a hazardous situation which, if not avoided, could result in minor or moderate injury or risks that may result in damage to the plant or dysfunction.

NOTICE is used to address practices not related to physical injury.

WARNING

Closely review all safety warnings in this manual before installation or use of the valve. Failure to review these safety warnings may lead to injury or property damage!

CAUTION

A trained and qualified plumber must install this valve.

CAUTION

All service and repair work should be performed by a trained and qualified plumber using suitable tools and original spare parts.

NOTICE

Check and comply with all applicable federal, state, and local safety and industry codes and standards.

Keep the manual for future reference!
Hand over the installation instructions to the client or to the system operator and retain for later reference.

CAUTION

Carefully inspect the valve before installation for any signs of damage which may have occurred during transportation or storage. Do not use the valve if it seems in any way damaged!

CAUTION

The place of installation may not be at risk of flooding. The valve seat must be located in the frost free area.

CAUTION

Do not combine components of Figure 579 with parts from earlier versions.

CAUTION

Perform a leak test after installation and before commissioning!

NOTICE

This product is intended for use in normal working conditions only. The responsibility for correct selection of the valve to the operating conditions, distribution, and installation is borne by the system designer, contractor, and user.

The FROSTI is used as a frost-proof outdoor tap. Do not use the product for other purposes than described above. Any other uses constitute misuse.

WARNING

Discard all unused parts and packaging material after installation in accordance with federal, state, and local requirements.

Small parts may be a choking hazard!

CAUTION**Important advice to the operator**

Medium: water

Maximum operating temperature 149 °F,

Pressure rating: PN 16

1. The tap should only be used
 - in good order and condition.
 - as intended.
2. **The tap seat must be located in the frost free area.**
3. Perform a leak test after installation and before commissioning!

Maintenance

In accordance with DIN EN 806-5, maintenance is to be carried out on the tap annually.

Be sure to comply with the local regulations on waste recycling and disposal.

Warranty Disclaimer

EXCEPT FOR THE EXPRESS WARRANTIES SET FORTH HEREIN, GEHR. KEMPER GMBH + CO. KG, GRANTS NO EXPRESS OR IMPLIED WARRANTIES AND SPECIFICALLY DISCLAIMS ANY OTHER WARRANTIES, WHETHER WRITTEN OR ORAL, INCLUDING ANY WARRANTY OF QUALITY, MERCHANTABILITY, OR FITNESS FOR A PARTICULAR USE OR PURPOSE.

GEHR. KEMPER GMBH + CO. KG SHALL NOT BE LIABLE FOR DAMAGES ARISING FROM ANY DISREGARD OF THESE SAFETY WARNINGS & INSTALLATION INSTRUCTIONS, OR ANY DAMAGE CAUSED BY FAULTY INSTALLATION OF THE VALVE, ANY UNAUTHORIZED PRODUCT MODIFICATIONS, OR ANY INCORRECT OPERATION OF THE VALVE.



YouTube

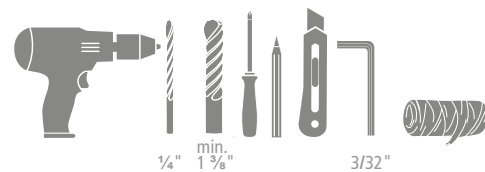
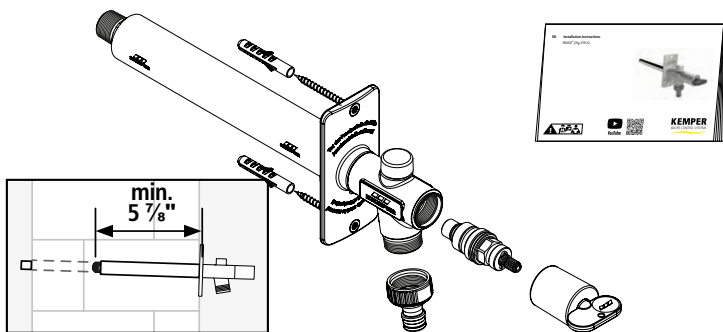
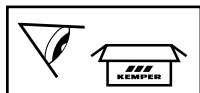


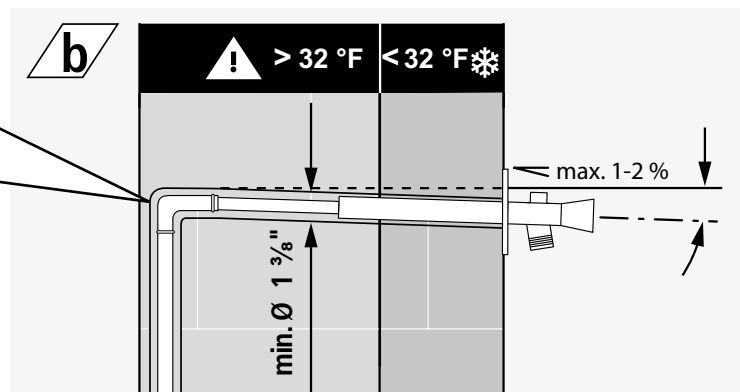
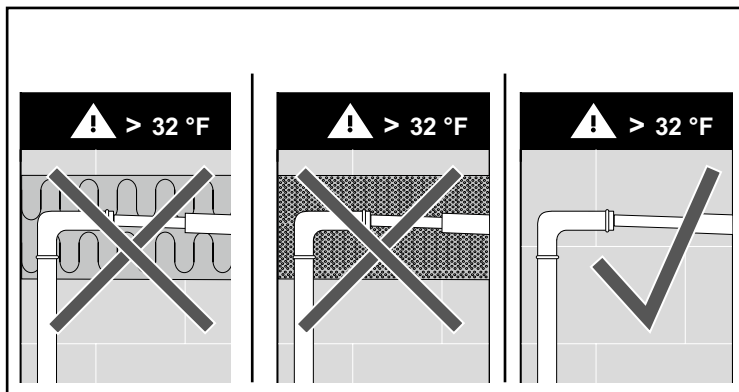
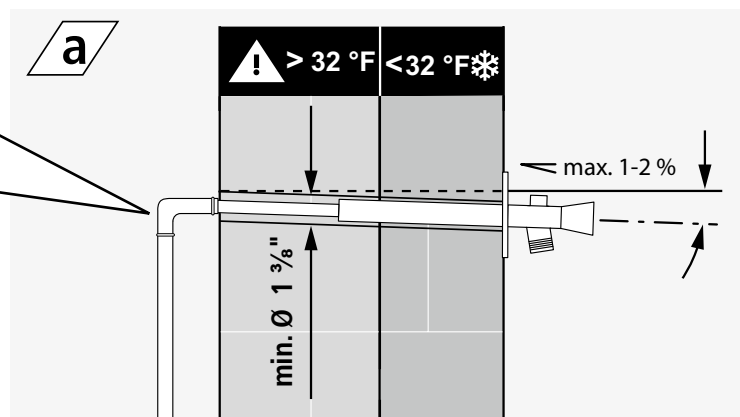
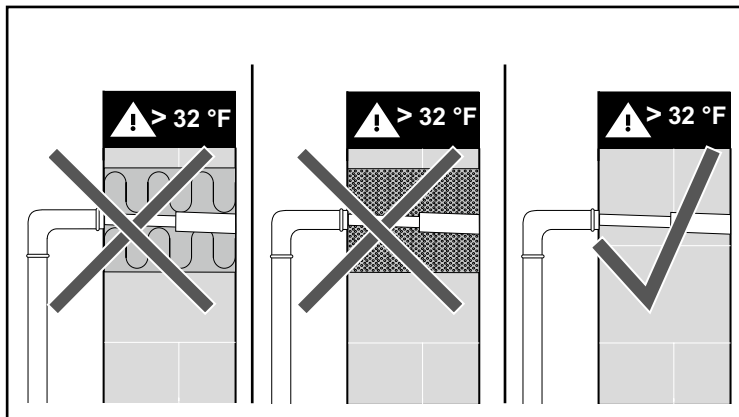
2

Product information

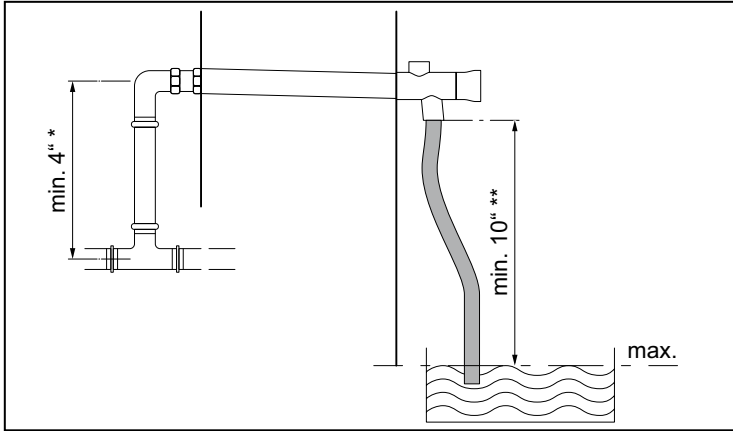
2.1

Scope of delivery | necessary tool





⚠ WARNING



EN Drinking water installation

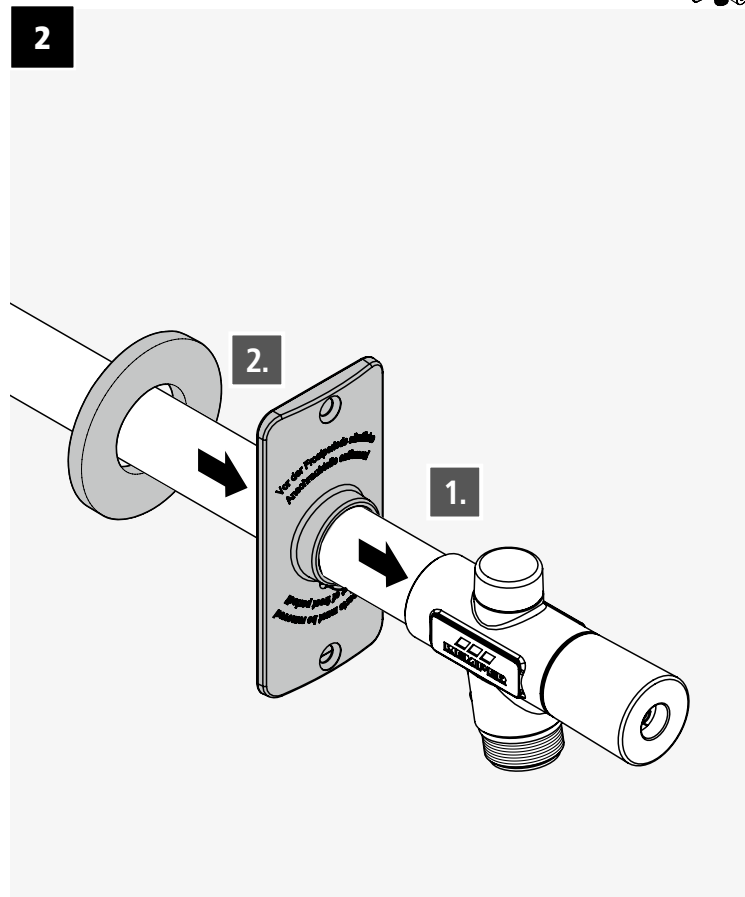
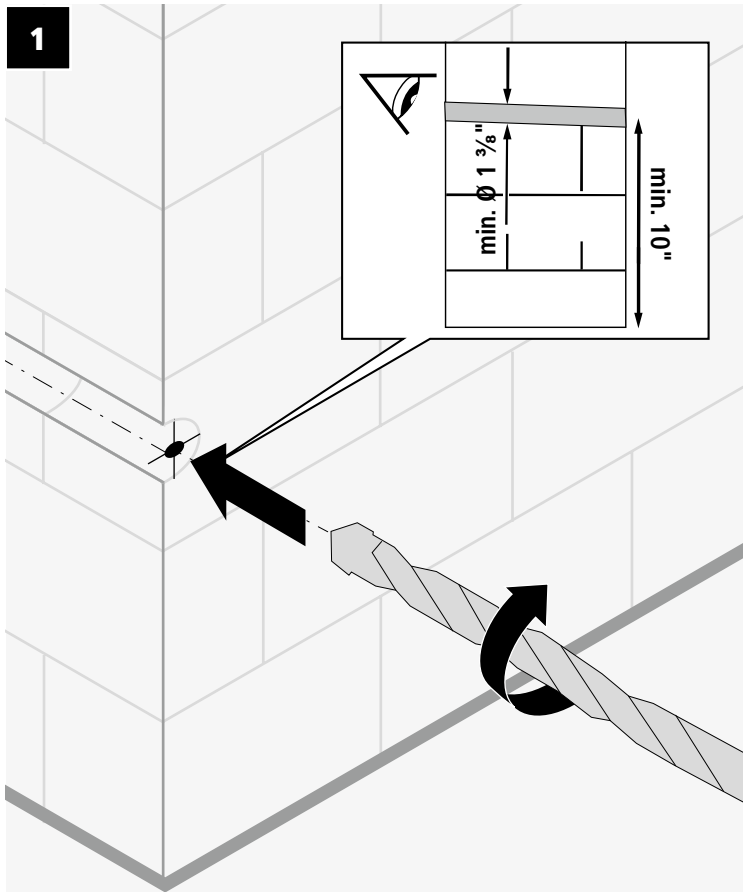
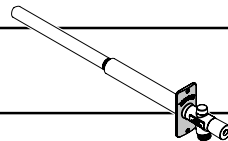
In order to prevent stagnation in the supply pipe, it is recommended to loop the tap in the drinking water system.

* For technical and hygienic reasons, it is necessary to execute the last min. 4" as a functional individual supply line.

** The tap must be installed at least 10" above the maximum water level.

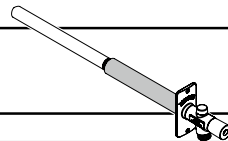
3

Installation



3

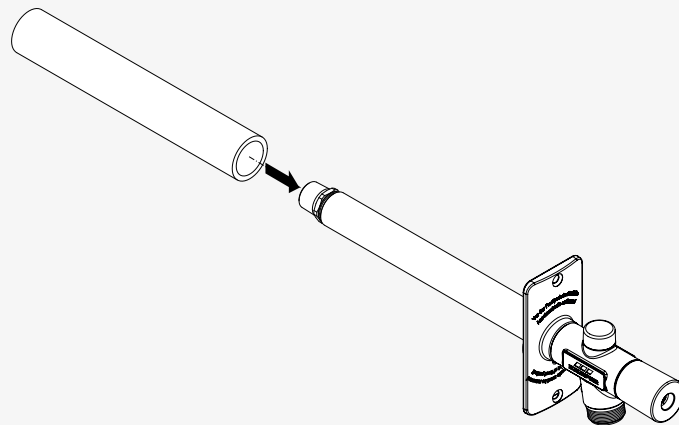
Installation



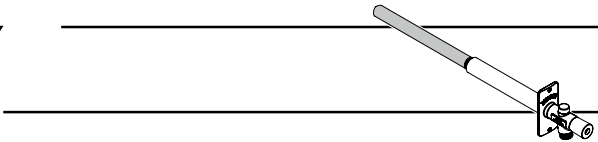
3



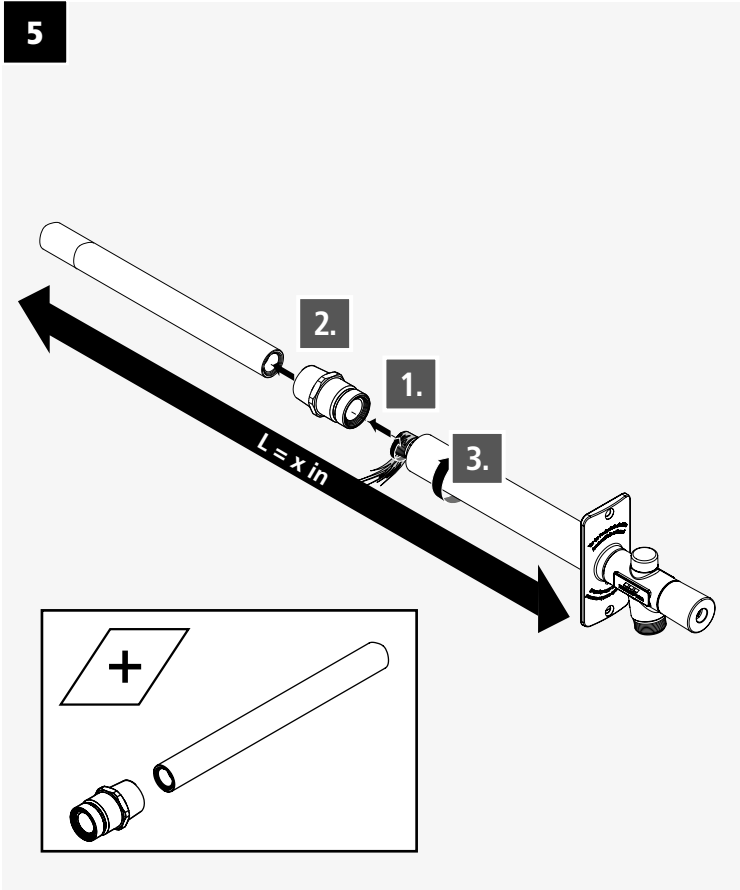
4



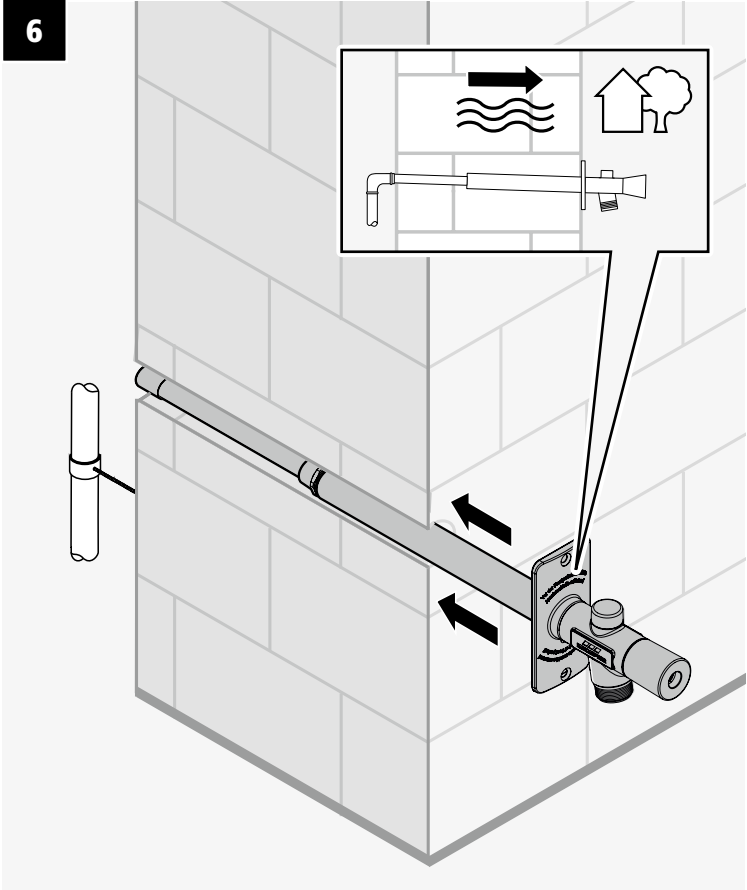
3



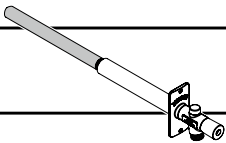
5



6

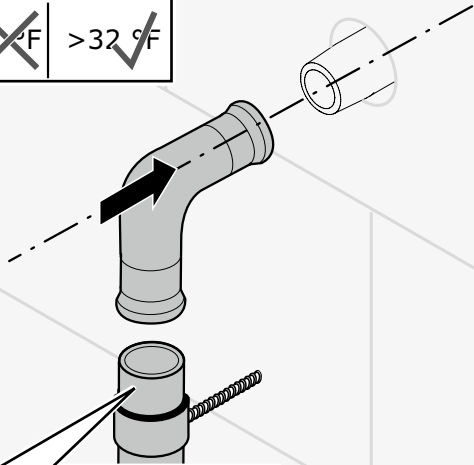


3



7

⚠ WARNING
<32°F ~~✓~~ >32°F ✓



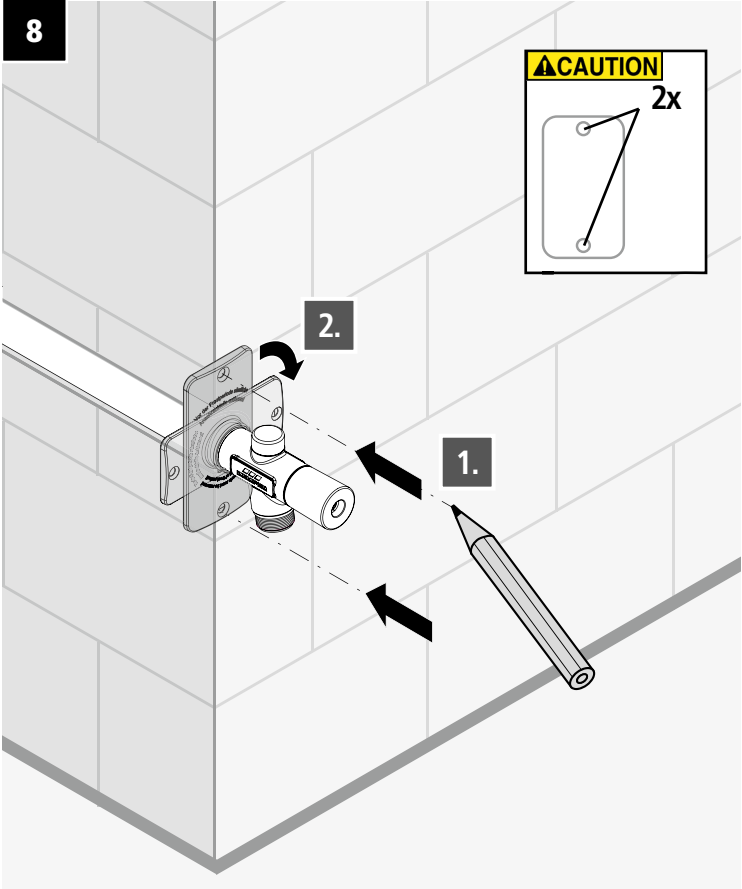
⚠ WARNING

4"

pag. 7 →

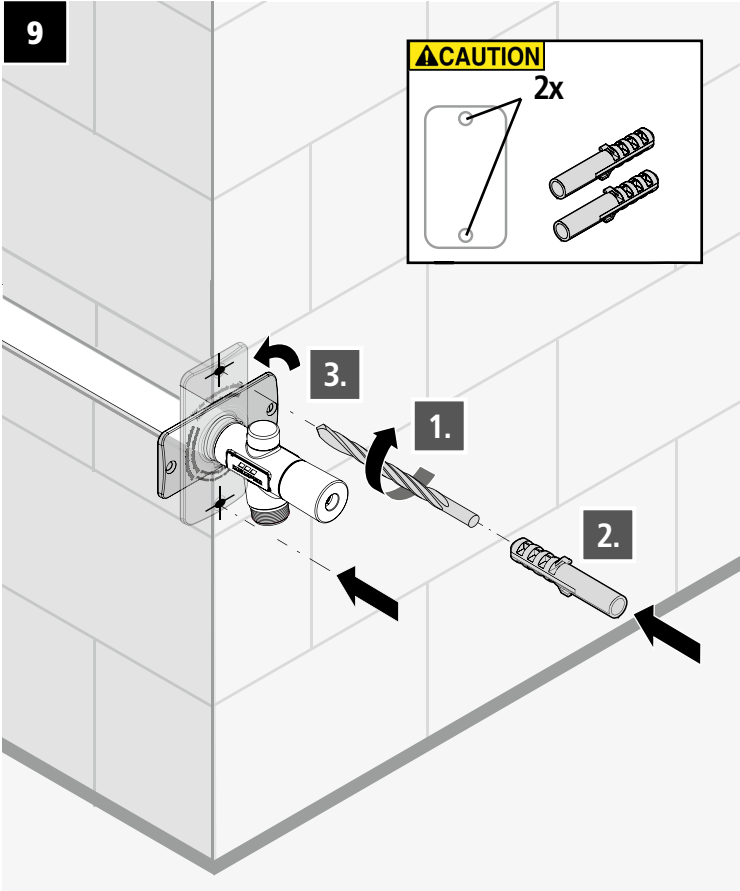
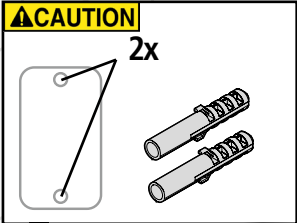
8

⚠ CAUTION
2x

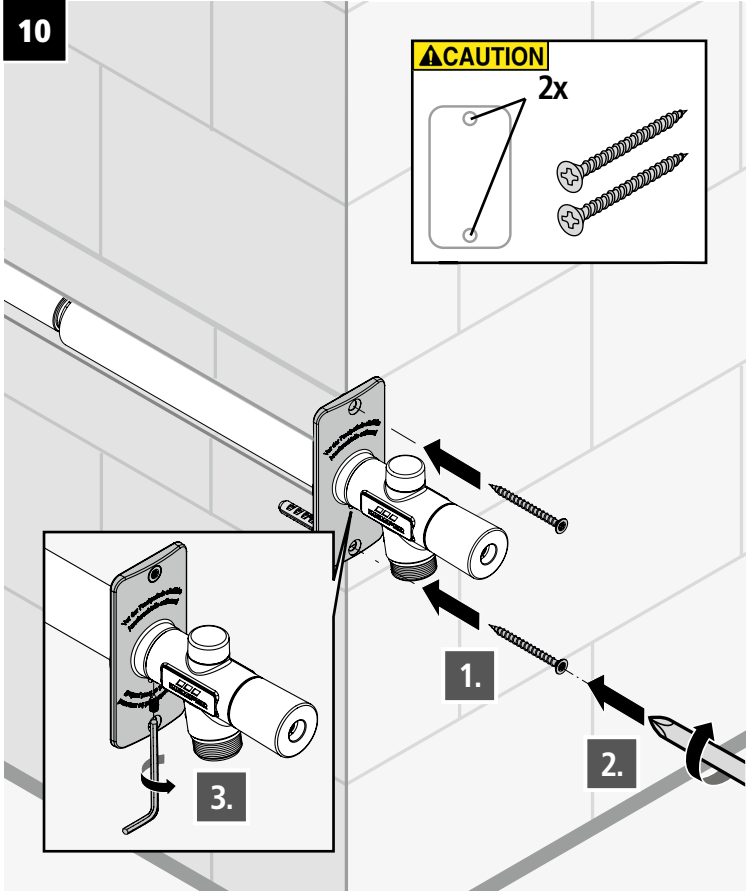
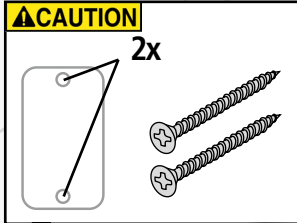


3

9

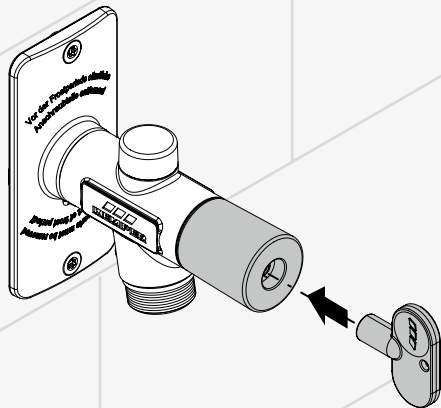


10

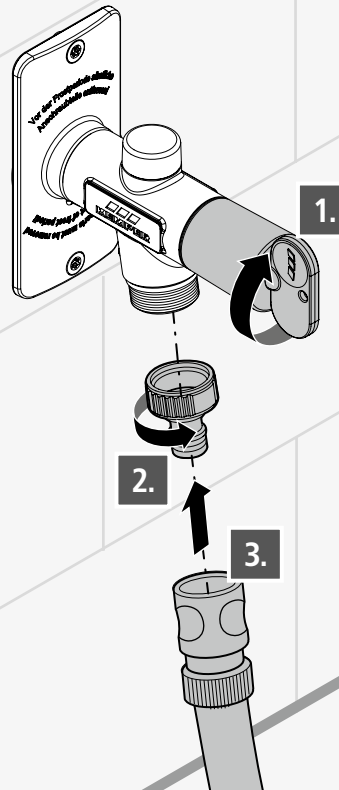


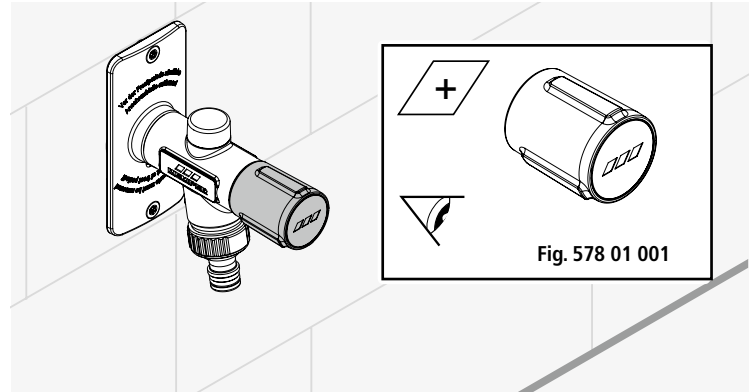
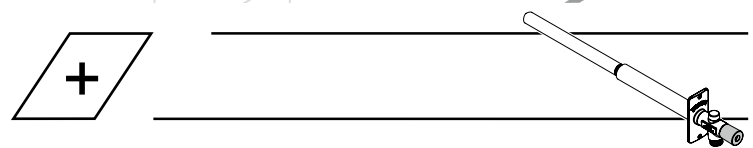
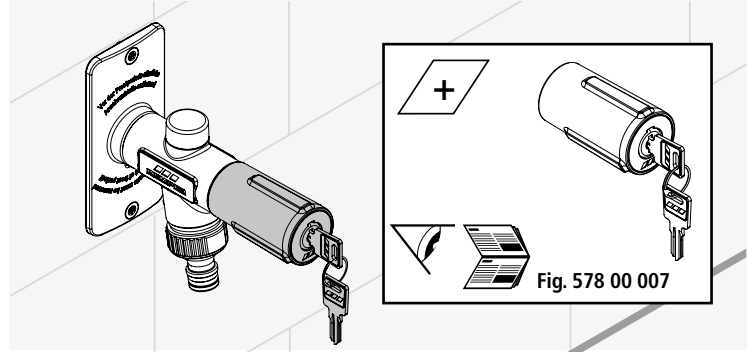
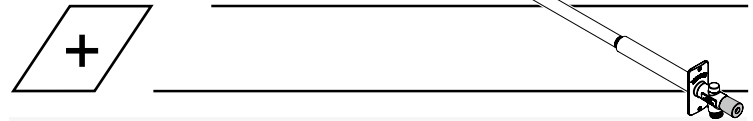
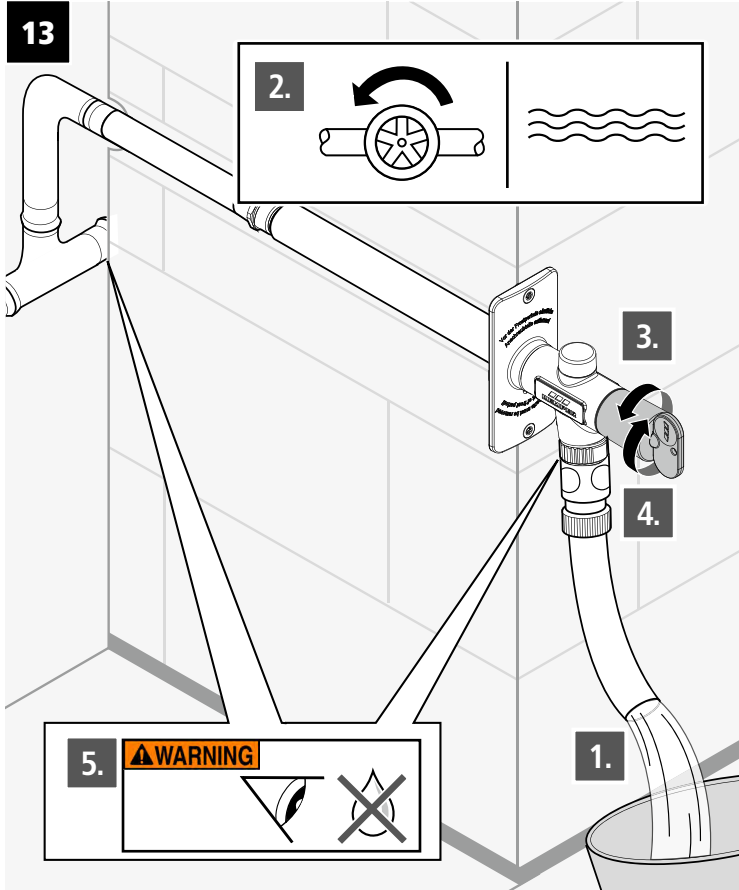
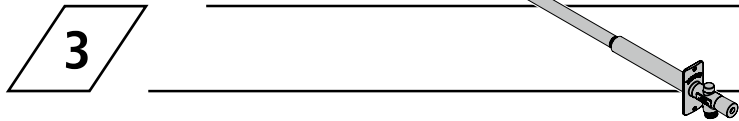
3

11



12







DRIVING PROGRESS

Gebr. Kemper GmbH + Co. KG
Harkortstraße 4
D-57462 Olpe

For more information, please contact:

Craig Boyce
Kemper Water Control Systems, Inc.
2378 Linwood Ave.
Naples, FL 34112 USA
Toll free: (877) 581-0575
Email: Craig.Boyce@KemperWaterControl.com



Service-Hotline +49 2761 891-800
info@kemper-group.com
www.kemper-group.com